

# SITMATIC®

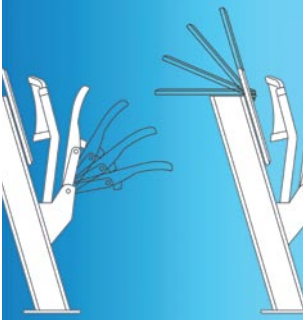
Educational Solutions



**SQUEEZE**

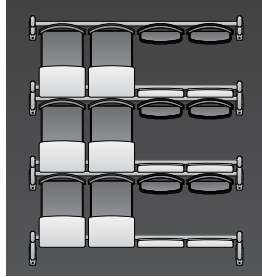


## Unique Squeeze Features



### Seats And Work Tops

Self-activated flip-up seats combined with anti-panic retractable tops are engineered for a lifetime of trouble-free operation and a uniform appearance when not in use.



### High-Density Solution

40% greater density than desks and chairs, 25% greater than swing-out type seating. The end result is increased density in a smaller footprint with full code compliance.



### Long-Term Comfort And Durability

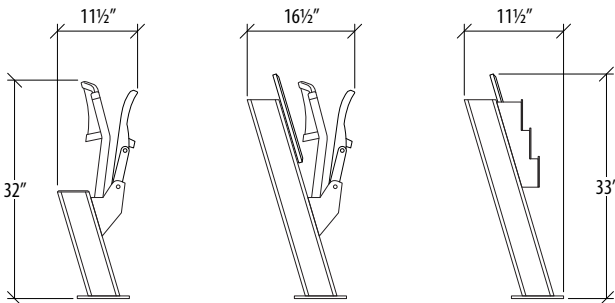
Mesh seats and backrests offer comfort, support, breathability and easy cleaning with sacrificing long-term durability.



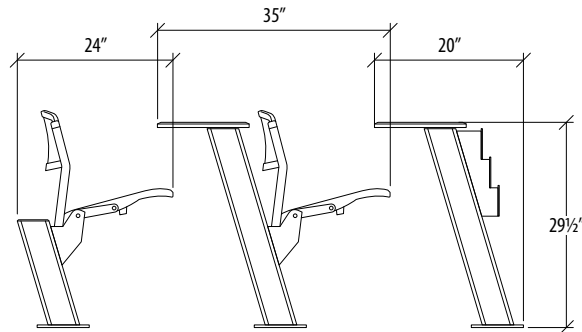
### Green Check Certified

An outstanding 45% post-consumer recycled content. Squeeze is independently tested to exceed Green Building Council's LEED-CI Indoor Environmental Quality Standards and may comply with MRS 5.0.

## Overall Dimensions



Up Position



Down Position

For further information on our comprehensive range of seating please visit our website or call our toll free number.

### Sitmatic

1800 Raymer Avenue  
Fullerton, California 92833

Tel: 800.288.1492

714.888.2500

Fax: 714.888.2505

E-Mail: [Info@Sitmatic.com](mailto:Info@Sitmatic.com)

Website: [www.sitmatic.com](http://www.sitmatic.com)



Sitmatic seating is covered by our comprehensive lifetime structural warranty. Specifications are subject to change without notice.



Sitmatic seating has passed the stringent testing procedures established by; ANSI/BIFMA and CAL 117.



Sitmatic literature is printed on certified recycled paper and paper from well-managed forests and other controlled sources.



### Green Check Certified

Our products are certified compliant for LEED-CI indoor environmental air quality. Choosing Sitmatic chairs for your work place contributes to a cleaner, safer, more sustainable environment.